

Infrared Cabin *Carbon heaters*



Model IR 831

Assembly & Operation



Safety Instructions

WARNING !

Read and save these instructions!



Installation

Installation and repairs should only be done by a professional electrician! Make sure the grounding conductor is correctly connected! For the cabin's electrical connection only a shockproof socket is needed – we recommend a connection to a separate 16 A fused electrical circuit with a ground fault circuit interrupter ($< / = 30$ mA absolutely necessary). The product has the 1P20 degree of protection: do not use outdoors! Do not use in damp rooms! Do not equip it with additional devices that generate steam/moisture! Observe safe room/safe zone specifications (safety margin to bath tubs and showers)! Above all, observe the standard VDE 0100, chapter 701 (Germany), in other countries, the corresponding national standard, e.g. A: ÖVE-EN 1 Chapter 4..., CH: SN SEV 1000:2005, above all 7.01. Your electrician will know the ordinance. When not in use, turn off the cabin's main switch (red switch on cabin roof).

Use

No changes may be made to the electrical equipment.

Repairs to electrical parts can only be done by a licensed electrician!

If you suffer from illness or other health-related problems, especially heart conditions or circulatory disturbances or if you take medication, you should consult a doctor before using the infrared cabin.

Children and frail persons should never be in the cabin without supervision.

We recommend that small children sit on a suitable child seat so that the head area is not overexposed to radiance.

Covering the radiator causes a fire hazard due to overheating.

No flammable or easily combustible materials/objects (e.g. towels) should be placed on or in front of the radiator – fire hazard.

Do not touch the radiator during and shortly after use as a burning hazard exists due to hot parts.

Take a 30 minute break after 2 x 30 minutes at the latest.

Never clean the cabin with running water.

Before cleaning, changing parts, servicing or repairing operational failures, the device must be completely separated from the grid.

Even after turning off the switch and/or the colored light, the cabin operating components are still charged. A separation from the grid is only possible when the plug is pulled out of the socket.

We recommend always separating the cabin from the grid by pulling the plug out of the socket after use.

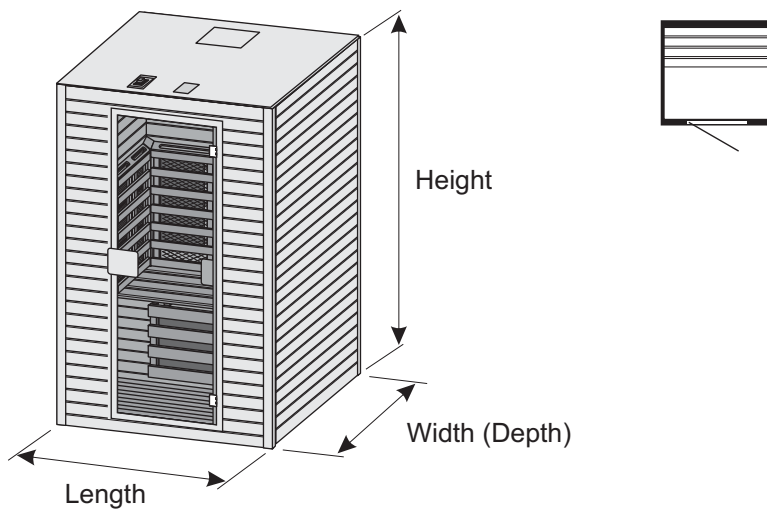
Should the electrical connection get damaged, it must be replaced – either by the manufacturer or by a licensed electrician!



Specifications

Dimensions:

Length:	[mm]	1330
Width (Depth):	[mm]	1030
Height:	[mm]	1980
Height with main switch:	[mm]	(2030)
Minimum space for (installation):	[mm]	2100



Voltage: 230 Volt 50 Hz

IR radiation type: **Carbon - heaters**

Cabine type : **831**

Total radiator output: [Watt] 1800

Individual specifications:

Rear area:	[Watt]	3 x 250
Calf area:	[Watt]	1 x 250
Sides:	[Watt]	4 x 250
Floor:	[Watt]	2 x 250

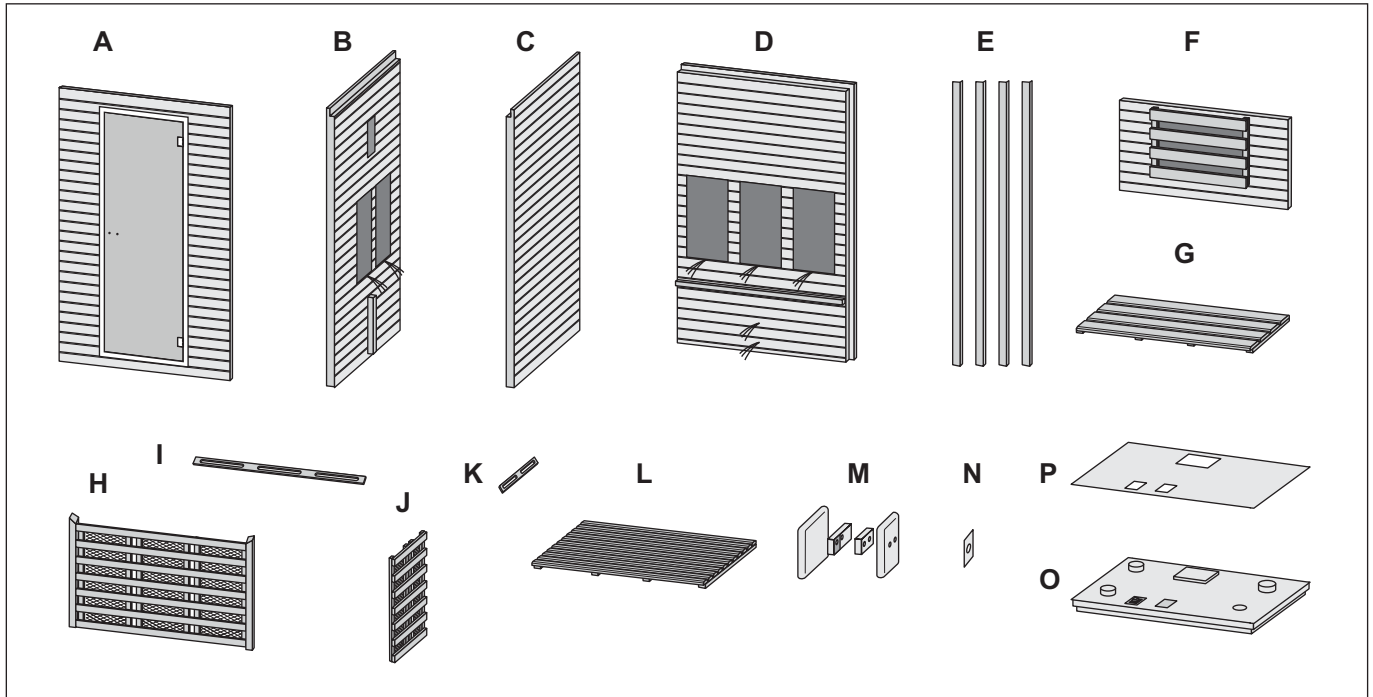
Maximum heating time: 2 x 30 minutes (30 min break)

Cabin material:

Outer walls:	Candlenut
Inner walls:	Candlenut
Seat and back rests:	Candlenut






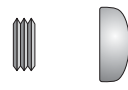




Parts List

Individual parts overview (deviations possible.)



- | | | | | | |
|---|---|-----------------|---|---|--------------------------|
| A | 1 | Front | I | 1 | Cover plate of rear grid |
| B | 1 | Left side wall | J | 2 | Side grid |
| C | 1 | Right side wall | K | 2 | Cover plate of side grid |
| D | 1 | Rear wall | L | 1 | Floor grid |
| E | 4 | Moulding | M | 1 | Handgrip |
| F | 1 | Calf plate | N | 1 | Magnetic plate |
| G | 1 | Seat bench | O | 1 | Cabine roof |
| H | 1 | Rear grid | P | 1 | Top cover plate |

Small parts overview (deviations possible.)

4x  5x50	10x  4x18	2x  M8x45
42x  4x60	3x  4x12	28x 
12x  4x35	1x  3x16	3x 
16x  4x25		

Assembly Instructions

General Information

Remove transport packaging and inspect delivery for completeness, accuracy, and quality before beginning assembly.

All alternative and/or optional fixture variants are displayed in the assembly instructions.

Take the versions that are valid for you from the respective delivery documents.

Work in the order presented here. Check the countersink and hole diameter of the drill holes – bamboo is an extremely hard material – false hole diameters could lead to screw failures.

Tools / Implements

Hammer

Phillips head screwdriver (kit)

Water level

Allen wrench (kit)

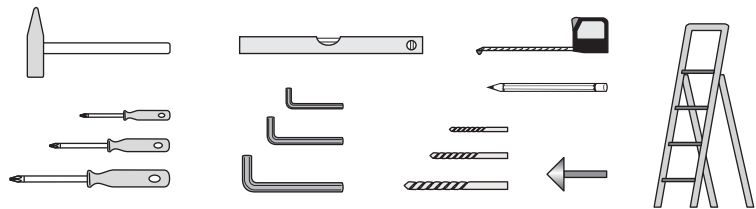
Measuring tape

Wood drill / spiral drill (kit)

Combination wrench (kit)

Countersinking cutter

Pencil



The assembly of the cabin should be done by 2 people. Use a stepladder for assembly.

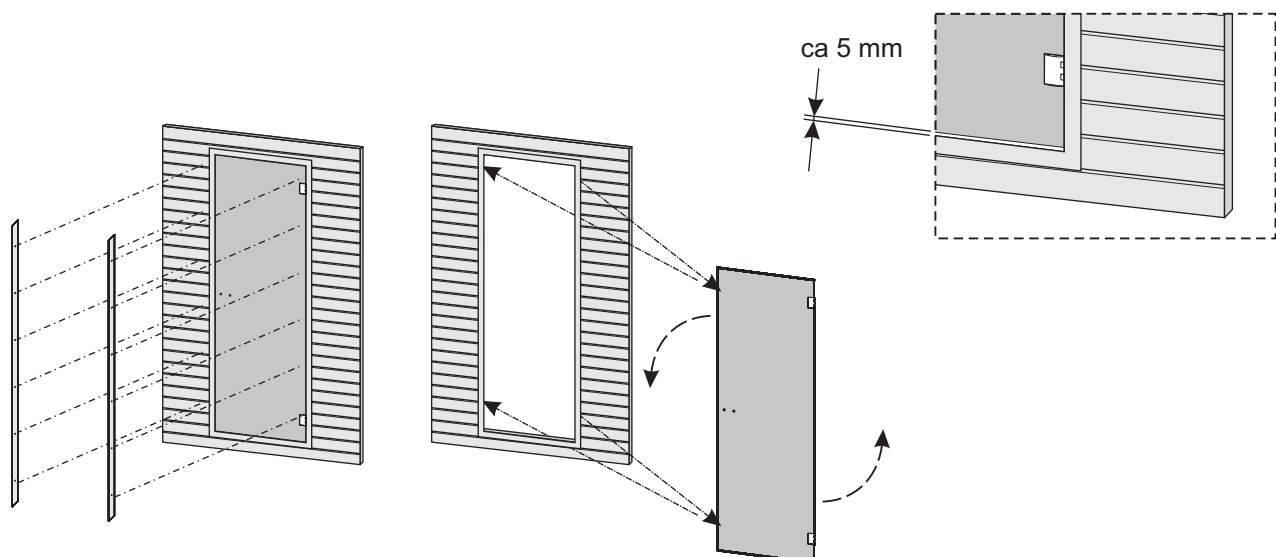
Assembly Steps

1. Deciding on door hinge side

The door hinge side can be changed if necessary: unscrew the side slats.

Then unscrew the door, turn it around and fasten it on the opposite side.

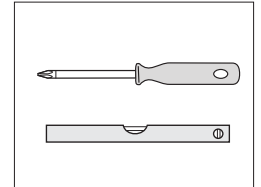
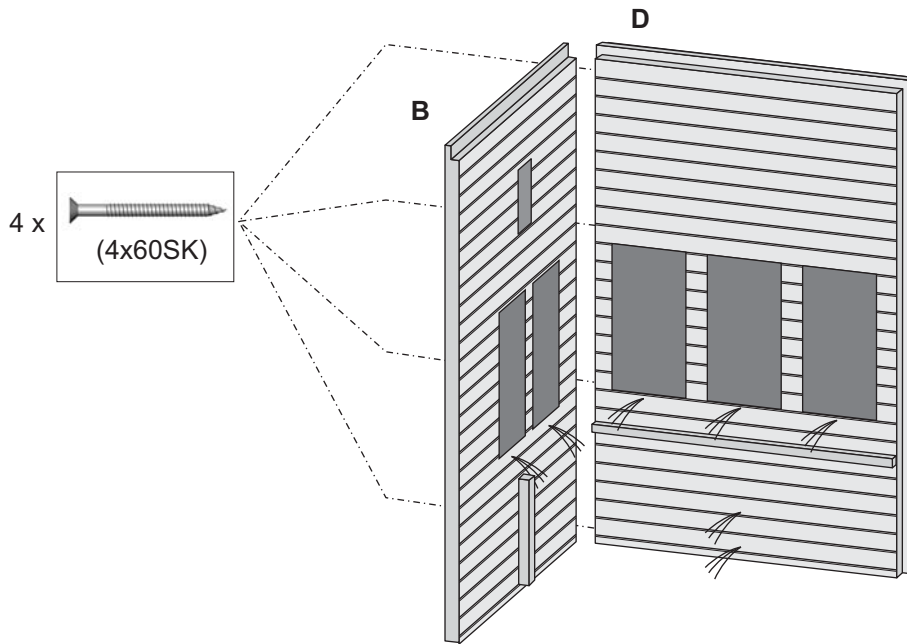
Make sure that the door is **centered**. Screw the side slats back on.



Assembly Instructions

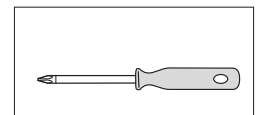
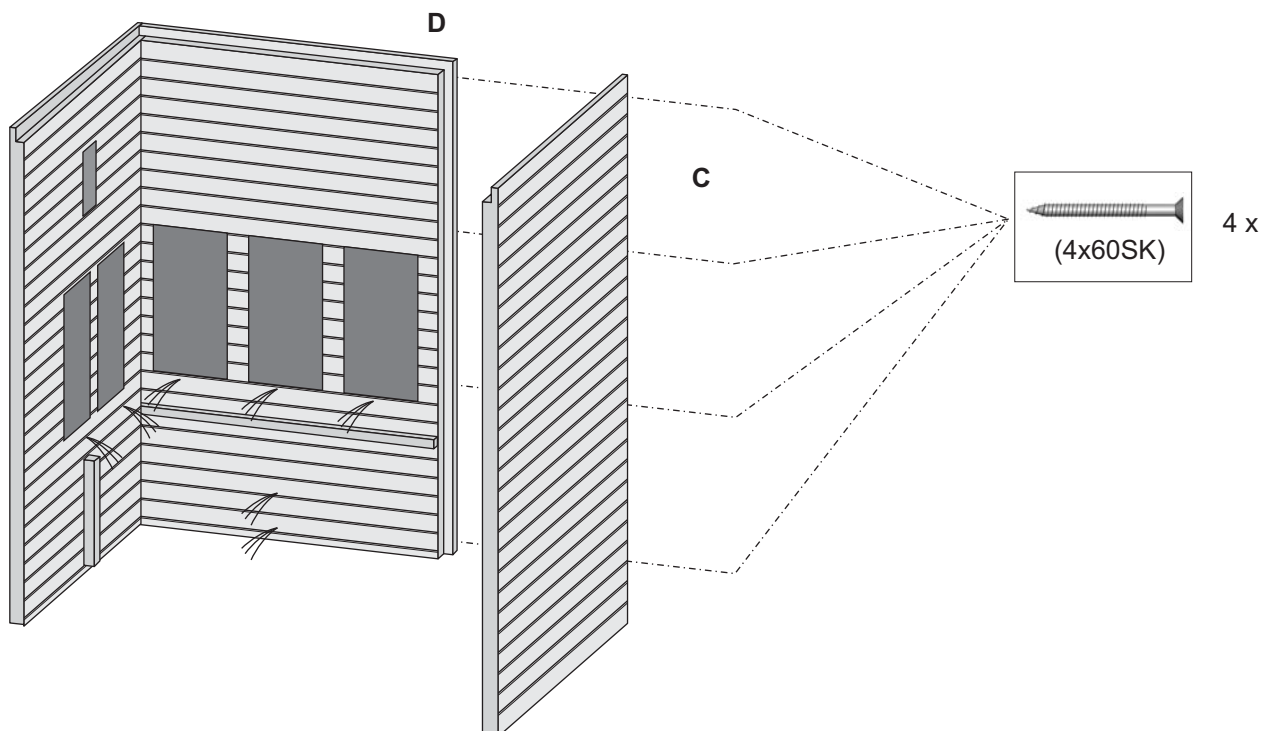
2. Setting up rear wall D and left side wall B

When doing so, choose an assembly area on a flat surface in the immediate vicinity of the final position of the cabin. Position rear wall **D** and side wall **B** as shown in the illustration and screw the walls together.



3. Assembly of right side wall C

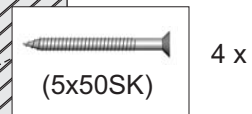
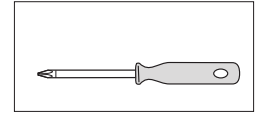
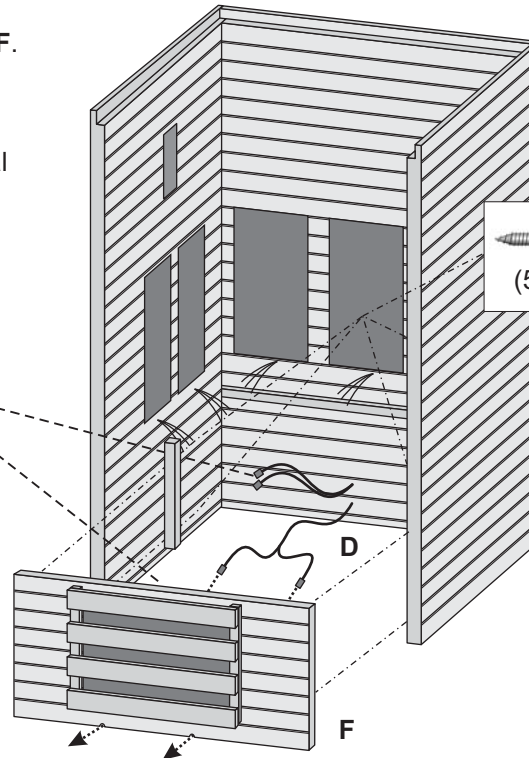
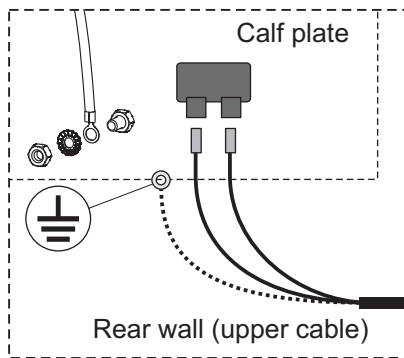
Screw right side wall **C** to rear wall **D** as with left side wall **B**.



Assembly Instructions

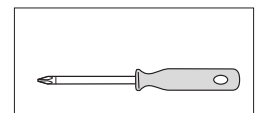
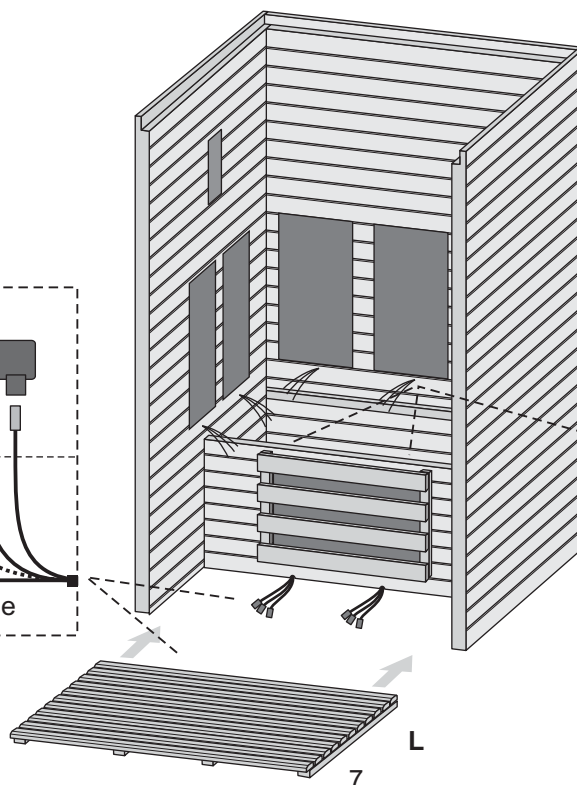
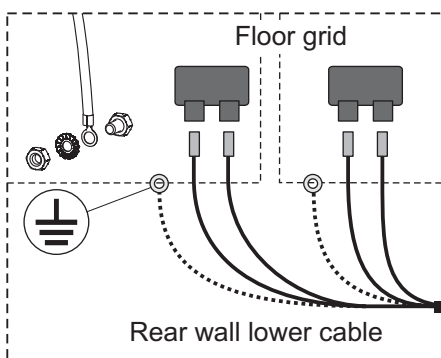
4. Assembly of calf plate F

Place calf plate in front of the vertical strip of the bench support. Connect the upper cable plugs hanging from rear wall **D** to calf plate **F**. Lead both lower cable ends hanging from rear wall **D** (for the floor grid) through the openings on the bottom edge of calf plate **F**. Screw calf plate **F** from behind to the vertical strip of the bench.

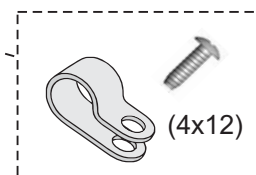


5. Assembly of floor grid L

Position floor grid **L** in front of the calf plate. Connect both cables which have been lead through the calf plate **F** to floor grid **L**.



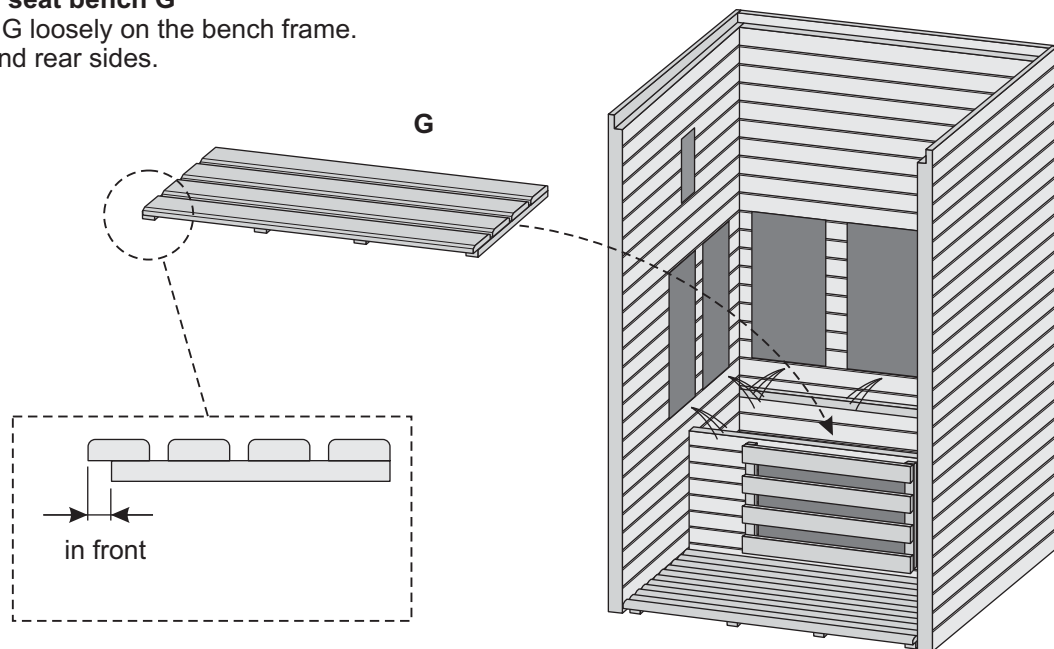
Fasten loosely hanging cables on the inner walls of the cabins with cable clamps. This prevents the crushing of cables when sliding the cabin.



Assembly Instructions

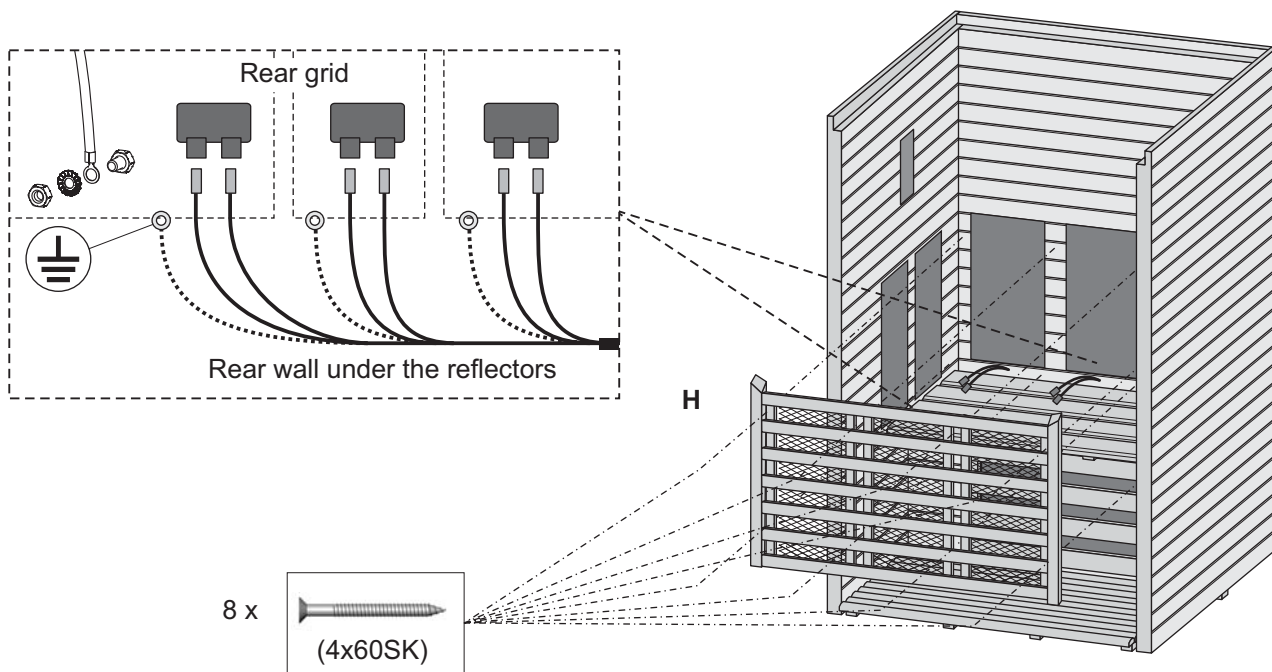
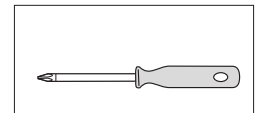
6. Assembly of seat bench G

Lay seat bench G loosely on the bench frame.
Note the front and rear sides.



7. Assembly of rear grid H

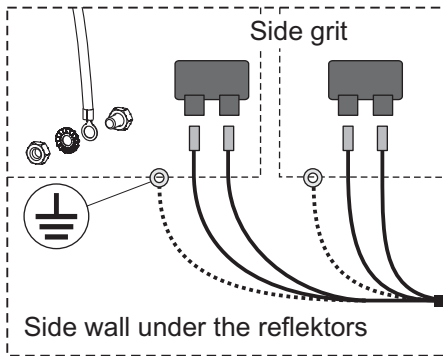
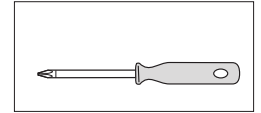
Connect the three plugs hanging out of rear wall D to rear grid H.
Screw rear grid to the rear wall.
Position rear grid on the bench.



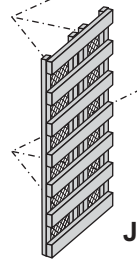
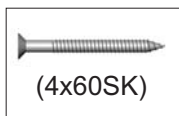
Assembly Instructions

8. Assembly of side grid J

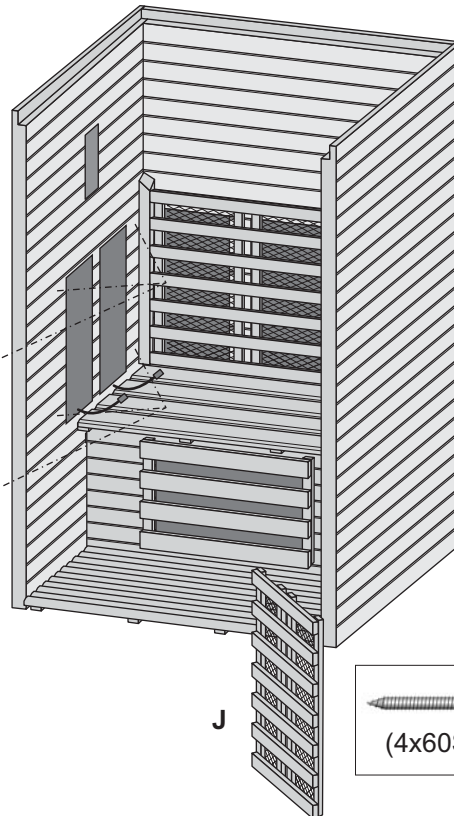
Connect the plugs hanging from side walls **B** and **C** to side grid **J**.
Screw side grid **J** to side walls **B** and **C** (at the same height as the rear grid).



4 x



J



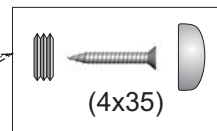
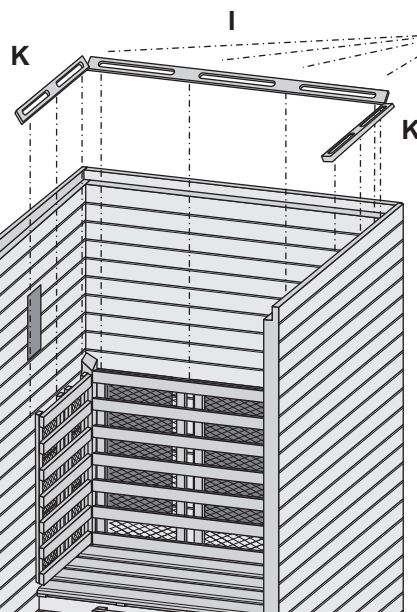
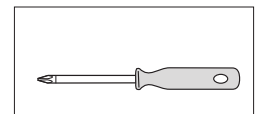
J



4 x

9. Assembly of heater covers I and K

Screw heater covers **I** and **K** over the rear and side grids (screw in with thread washer and cover cap).

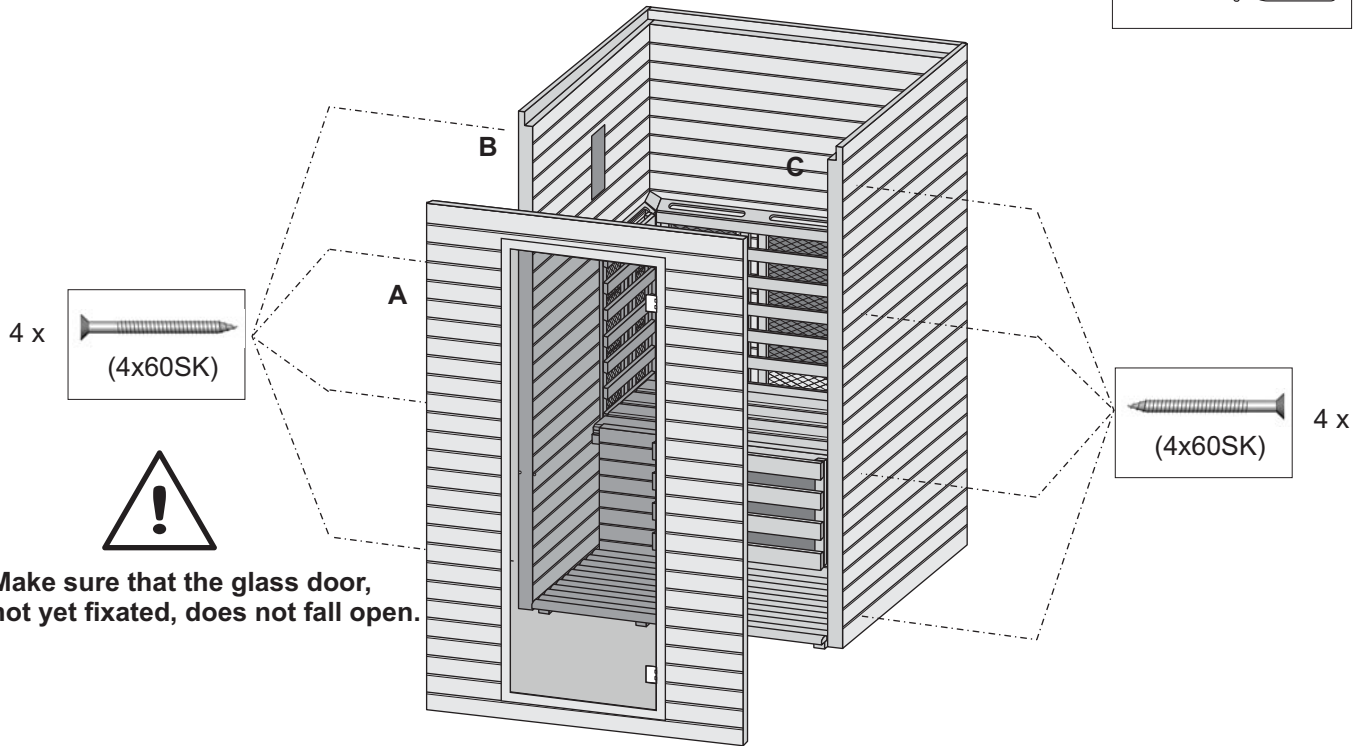
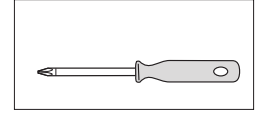


10 x

Assembly Instructions

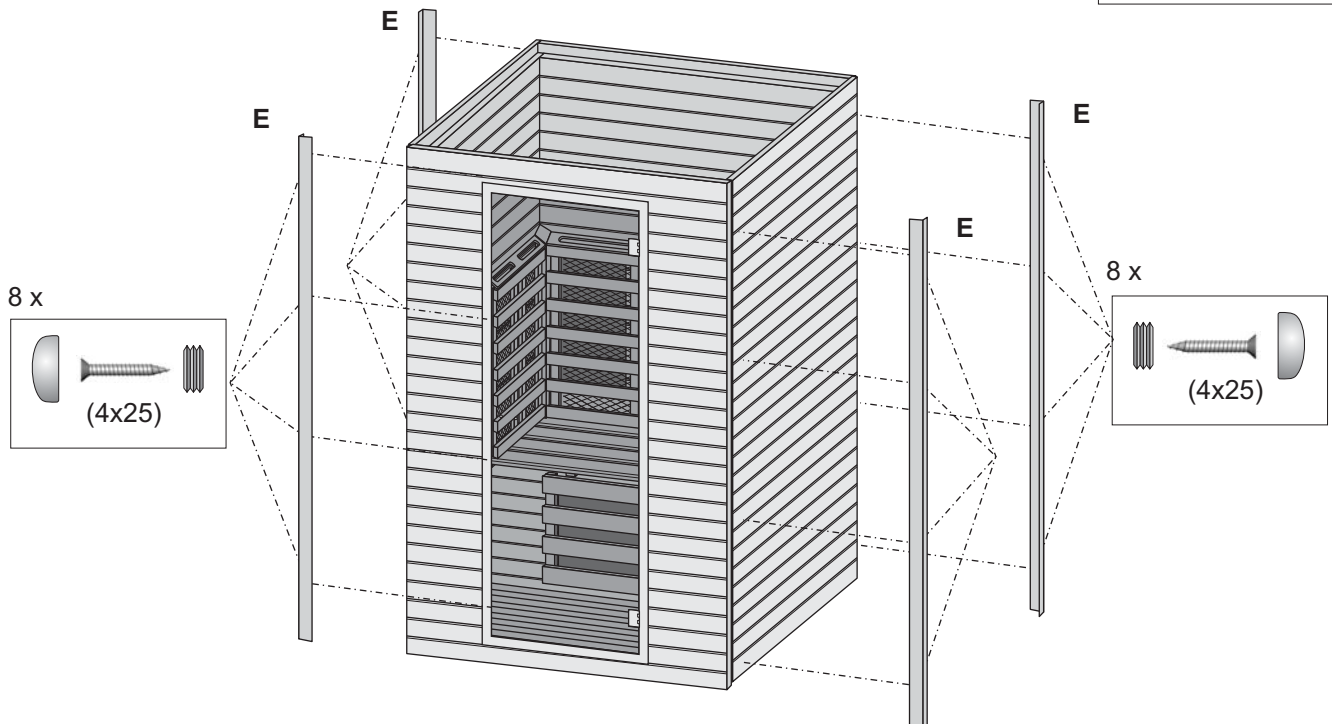
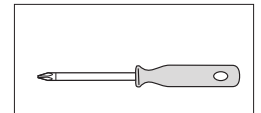
10. Assembly of front A

Screw front A to side walls B and C.



11. Fastening moulding E

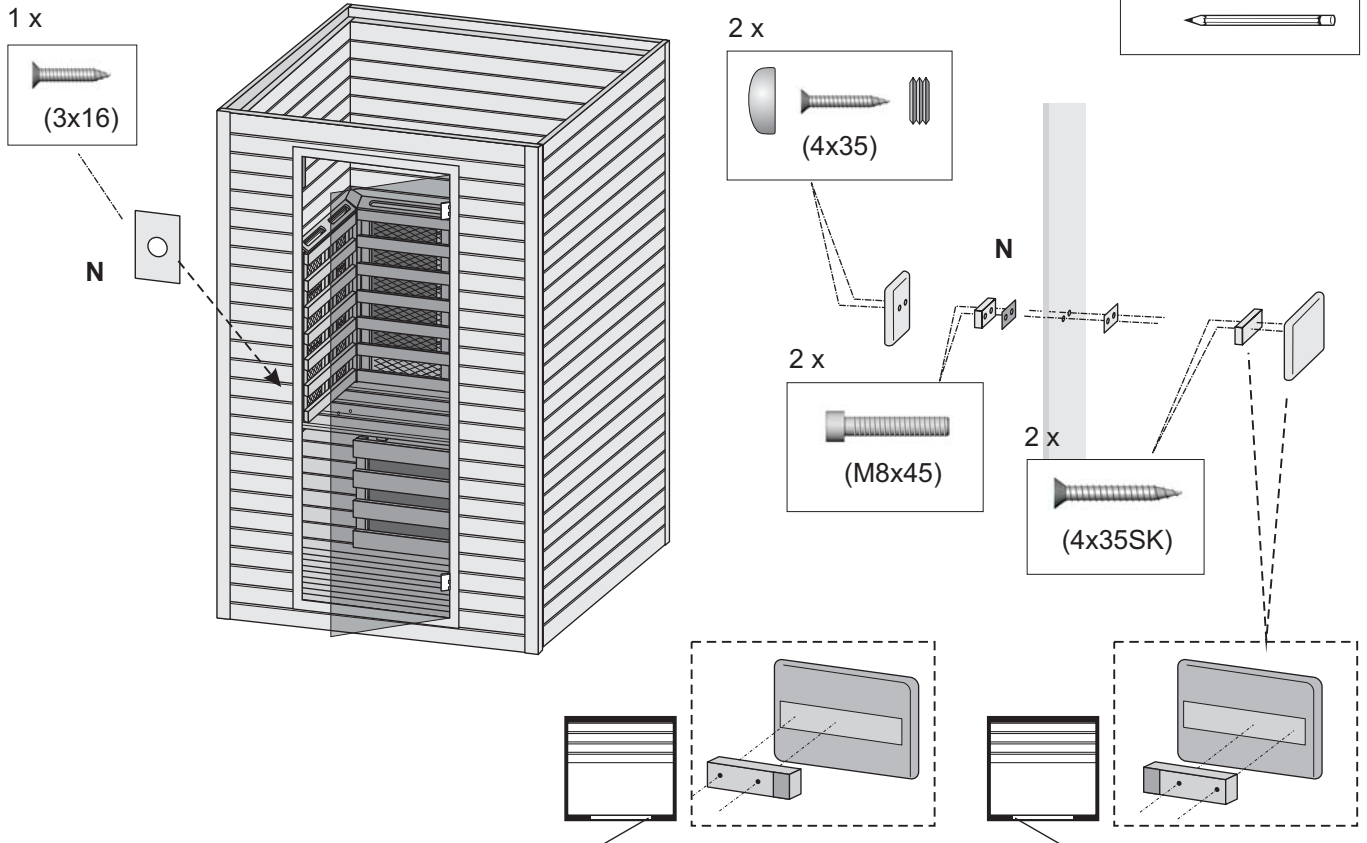
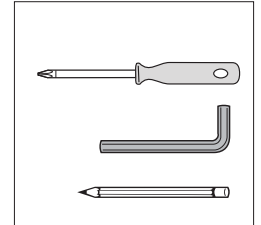
Screw moulding E over the wall joint onto the cabin sides (screw in with thread washer and cover cap).



Assembly Instructions

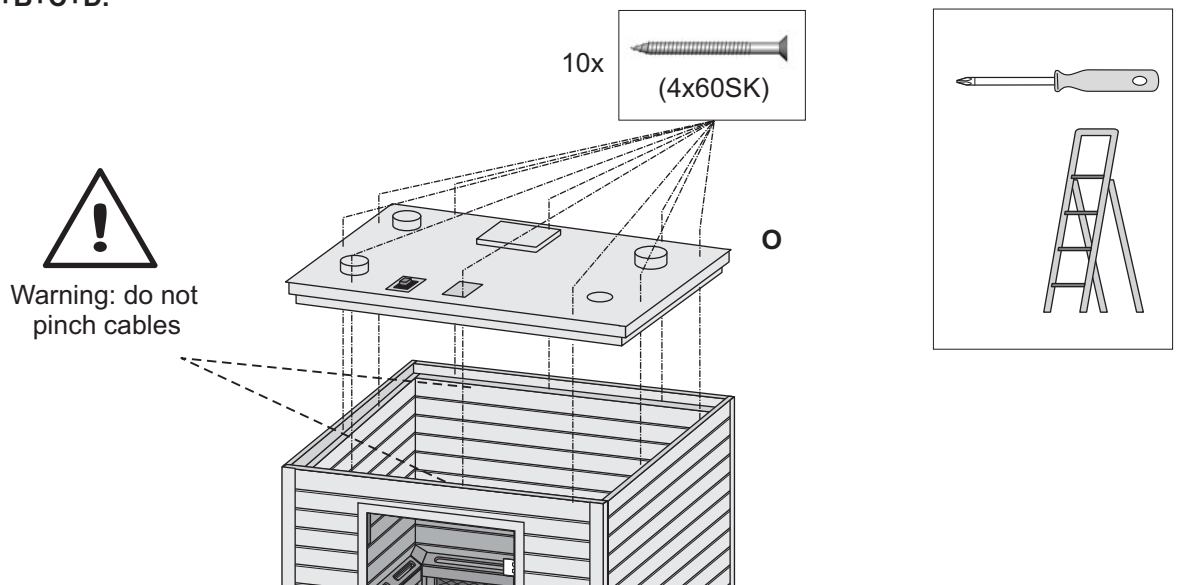
12. Assembly of handgrip M and magnetic plate N

Handgrip **M** can be similarly assembled on either the left or right door side. Assemble as shown in the illustration (the silicon plates must be in contact with the glass door on both sides!). Close the door and mark the position of the magnet on the front with a pencil. Screw on magnetic plate **T**.



13. Assembly of cabin roof O

Lay roof **O** on top of the cabin inside of the wall notches. The vent hole (with a small wooden slider) is near the door. Be careful not to pinch any cables. Screw roof **O** to wall elements **A+B+C+D**.



Assembly Instructions

14. Establishing cable connections

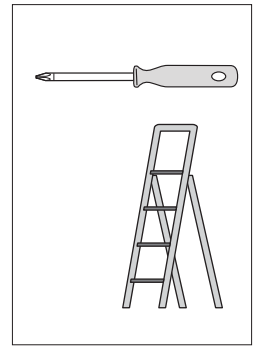
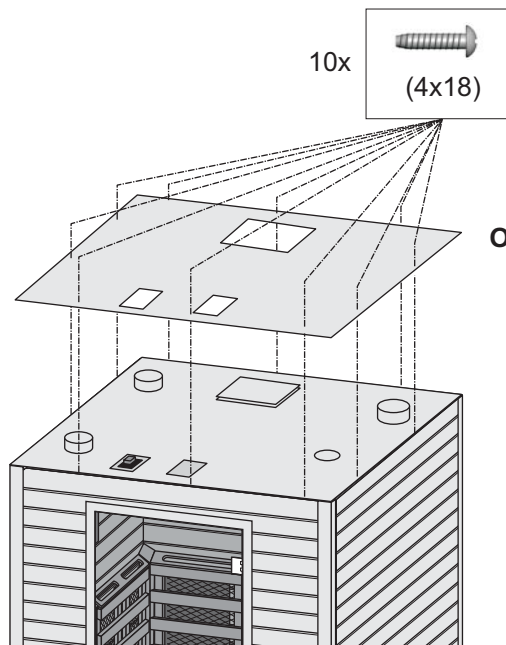
Establish the cable connections on the cabin roof (all cables are labeled).

Have the grounding conductor function checked by an authorized professional!



15. Assembly of the top cover plate P

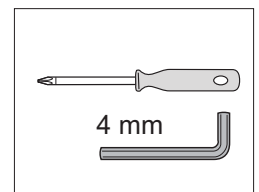
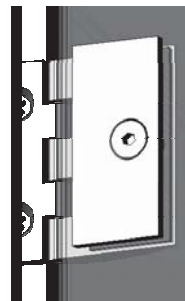
Lay top cover plate **P** on the cabin roof. Screw cover plate **P** to cabin roof **O**.



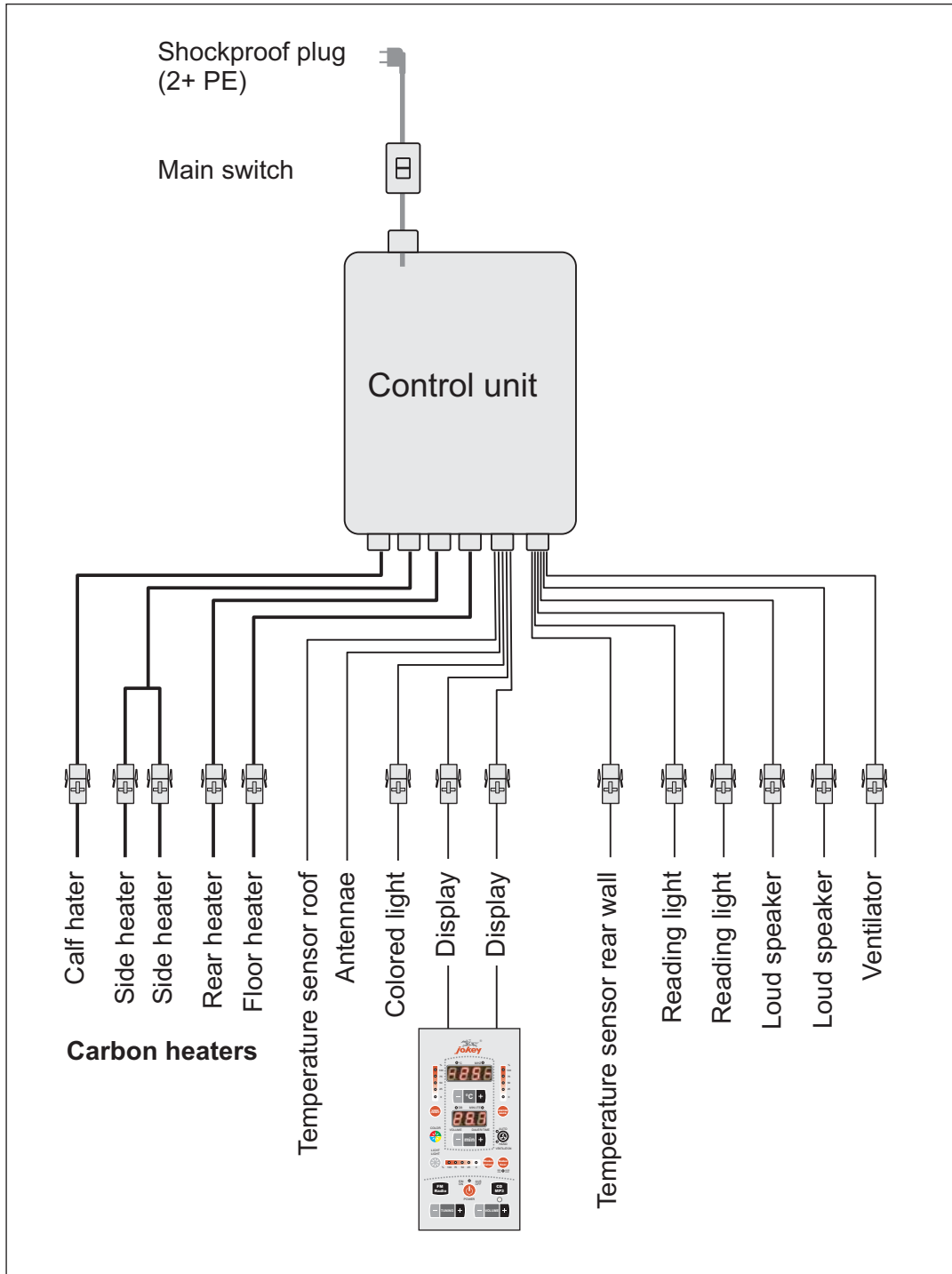
16. Aligning the doors

Should the doors not close properly, they can be re-aligned on both hinges.

Warning: do not completely unscrew the hinges (just loosen them). Otherwise the plate could fall out!



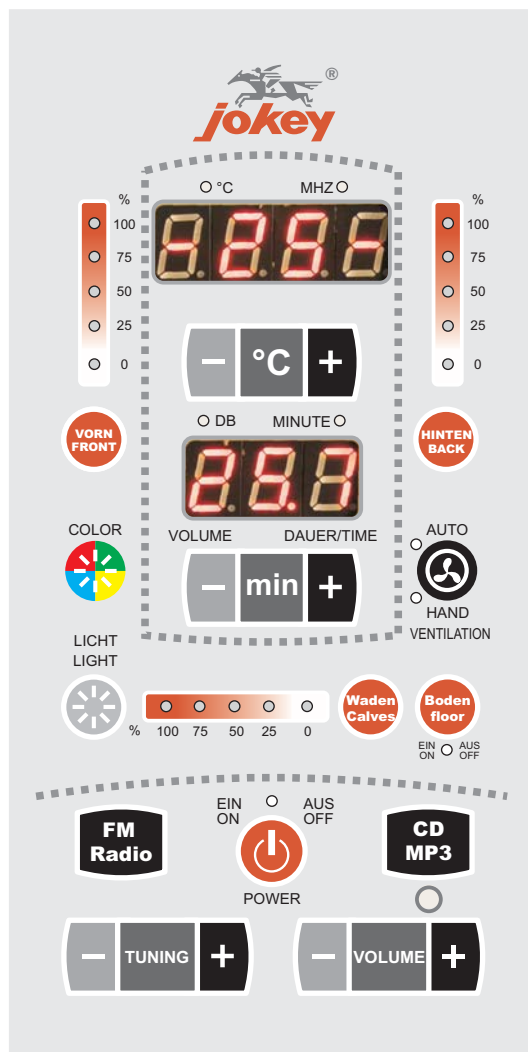
Wiring Scheme



Operating Instructions

Startup

Turn on main switch on roof of cabin. It will start to glow. At the same time the LED will start to blink over the power button on the display. It is now possible to switch on the colored light, reading light and the music function (independently of each other).



Switching the Carbon heaters on and off

Pushing "⏻" switches on cabin and radiator starts to work. The length of time is automatically set to 30 minutes. Pushing "⏻" again switches radiator off.



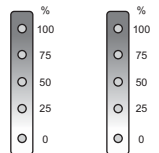
Length of time

The lower display shows the length of time. 30 minutes of heating time is automatically set. Press "min + / -" to set a time between 0 and 30 minutes. After this time the radiator shuts off automatically.



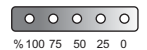
Carbon heaters

The capacity of the heaters and the calf heater can be regulated independently of each other from the front/from the sides / from behind with the "front/back/0-100" buttons. The on/off switch for the floor panel is preset (no dimming).



Temperature control

The upper displays shows the cabin air temperature: by pushing "°C +/-", you can set the temperature at which the heaters automatically dim. Should it fall 2 °C below this temperature (and the time is not yet up), the cabin automatically starts back up.



Ventilation:

The automatic mode is preset. Press "⏻" once for manual mode. Ventilator switches on. Press once more for automatic mode. In automatic mode, the ventilation switches on when the set cabin air temperature is reached.



Colored light control:

Pressing the "🌈" button switches on the coloured light. Press the button for 2-3 seconds: colour change starts.



Reading light:

You can switch the reading light on and off by pressing the light button.



Operating FM Radio:

On / off : FM button
 Adjusting Station: Tuning + / -
 Input of CD, MP3: Plug in the 3,5 mm stereo jack and press the CD/MP3 button

Adjusting volume for FM/CD/MP3: Volume + / -

User notes / Service

Information regarding use of infrared – heat cabin

1. Drink plenty of liquids before and after use of the infrared cabin (alcohol free drinks, for example fruit and vegetable juice or mineral water).
2. A shower or bath before use purifies the body, regardless of the temperature. However, ice-cold water should be avoided.
3. Dry yourself off completely.
4. The ideal length of time spent in the cabin is 20-30 minutes and should not exceed 30 minutes. The control unit is equipped with a timer with a maximum 30 minutes of running time.
5. The optimal cabin temperature for a pleasant session lies between 35 and 40°C.
6. After a heating period of an hour at the latest, the cabin should be switched off and a heating break of at least 30 minutes should be taken.
7. It is recommended to take a warm shower and relax after use.

Warning:

The maximum air temperature reachable in the cabin may be lower than the set temperature. This is dependent on the temperature outside the cabin.

Cleaning and servicing cabin:

Do not use organic agents to clean cabin interior. Use only moist towels (with a little all-purpose cleaner if necessary) to remove dirt. If you want to use cleaning products, seek advice from a specialty retailer (for health, sauna, infrared products) and make sure that the application (infrared cabin – interior / wood) is expressly mentioned in the instructions for use. Treat cabin exterior as you would all wood in interiors. Any coatings should be breathable – varnish is therefore less suitable due to a tendency to crack.

Replacement parts:

Replacement parts can be ordered directly from our factory. Please describe the unit and the replacement part exactly – it would be best to add the respective short description (letter/number) used in this manual. You will find the exact type of your cabinet on the metallic model plate (on cabin roof).
Example order: IR cabin / type 831 / side heater.

Warranty and Service:

We guarantee our products for 2 years. Excluded from this warranty as well as all liability are damages done due to non-professional assembly, unqualified electrical connection, improper use as well as spare parts such as lamps and heating rods. Only use original pieces when repairing. Only have repairs done by a specialist. Please first contact the dealer from whom you purchased the product with complaints. During the guarantee period, we ask you to produce:

- a) a proof of purchase (receipt) and
- b) a copy of the "QS field" (on the back side of this manual).

Date of effect for the beginning of warranty is the date of purchase on the proof of purchase.

We are always happy to receive your suggestions and comments.

User notes / Service

Updates

For further information, for example on new versions, the current assembly instructions etc., please visit our homepage at www.jokey.com:

German: www.jokey.com/jokey_badprogramm/de/ and
English: www.jokey.com/jokey_badprogramm/en/.

Recycling



The disposal of the product must be carried out according to the waste electrical and electronic equipment law. The used equipment must be brought to a collection point. We recommend completely removing the electrical component, control unit, radiator, lighting unit and display and bringing these parts to an electronics collection point. The remaining wood pieces can be handled as is customary (such as with furniture as is common in your area – such as by bulky waste removal).



For reclamations, send along with proof of purchase to Jokey.

QS

→ Jokey Service

IR cabinet Carbon heater 13 30831 00-0260 / 07 / 2009